

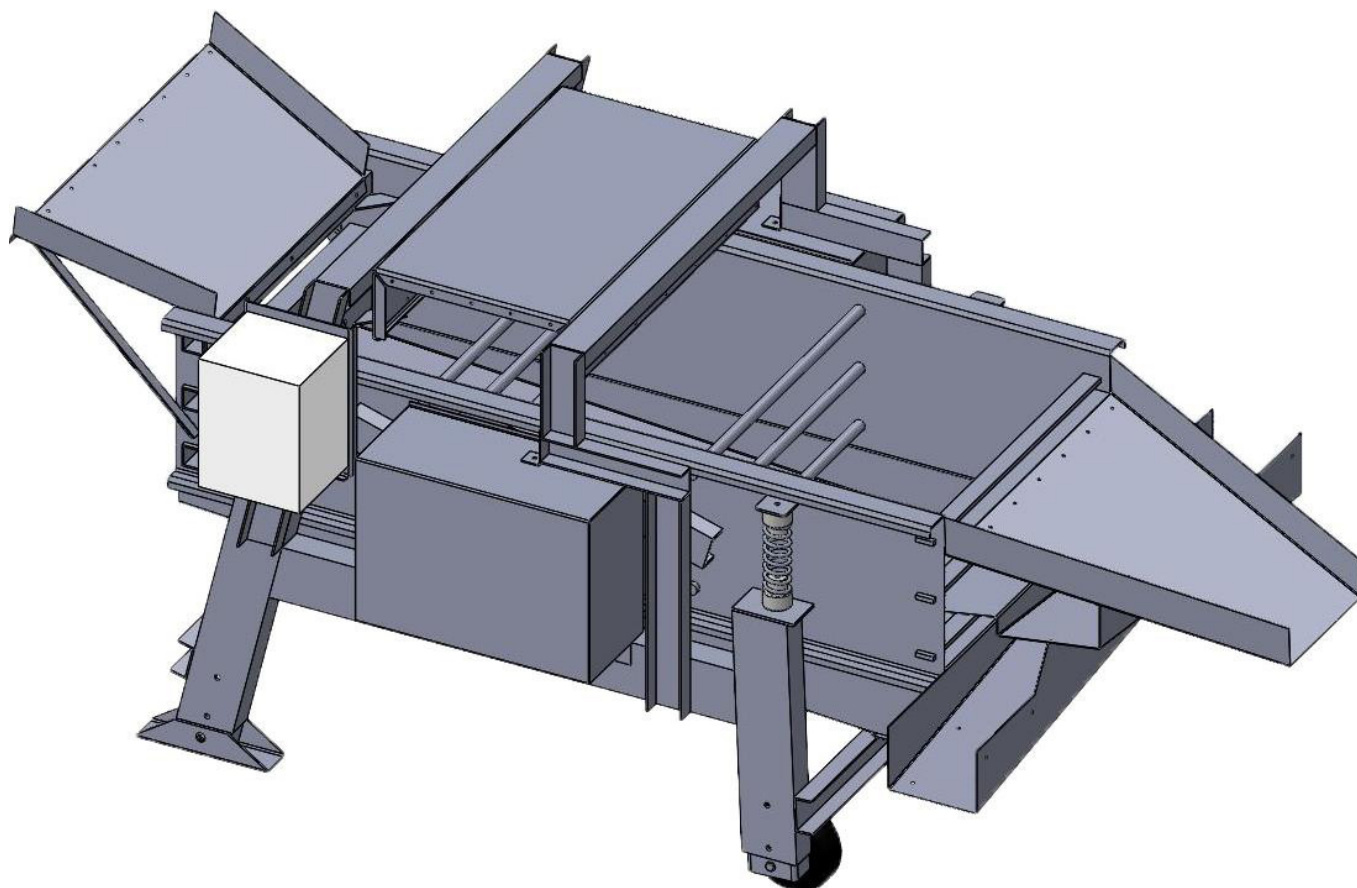


Ets BERTRAND

Machines et fournitures ostréicoles

Over 60 years of ripened expertise

SHELL SHAKER GRADER 3 SIEVES



DIMENSIONS : 2775x1435x1200

WEIGHT : 350 KG

POWER SUPPLY : 220 V

VIBRATION : MVS1 MOTOR

SORTING : 3 SIEVES / 4 OUTPUTS

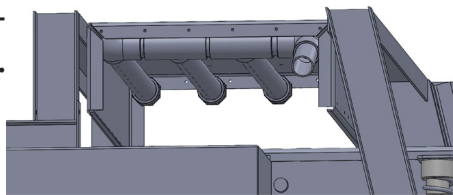
OPTION : 4 SELF-LOCKING WHEELS



» THE OYSTERS SHELL SHAKER GRADER (REF 0434) ENABLES THE SORTING OF SHELLS THANKS TO 3 DIFFERENT ADAPTED MESH SCREENS.

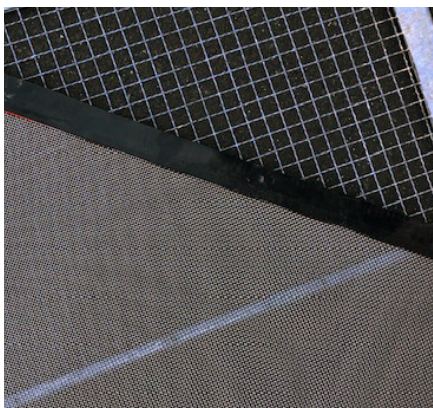
» A VERSION WITH SPEED VARIATOR IS ALSO AVAILABLE (REF 04340).

» 3 WASHING RAMPS ENSURE AN OPTIMUM CLEANING OF OYSTERS DURING THEIR SCREENING.



Washing ramps

» THE SHELL SHAKER GRADER IS PROVIDED WITH A SET OF STAINLESS OR GALVANIZED STEEL SIEVES. VARIOUS SIZES OF SIEVE MESHES ARE ALSO AVAILABLE AS AN OPTION TO BEST FIT WITH YOUR PRODUCTION.



Set of sieves with different mesh sizes

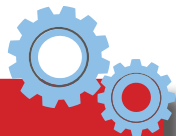
» GALVANIZED SIEVES ARE AVAILABLE FROM 5 TO 60 MM, AT 5MM INTERVALS.

» STAINLESS STEEL SIEVES CAN BE PROVIDED FROM 3 TO 20MM. OTHER DIMENSIONS AND SIDE RUBBER STRIPS ARE ALSO AVAILABLE ON DEMAND.

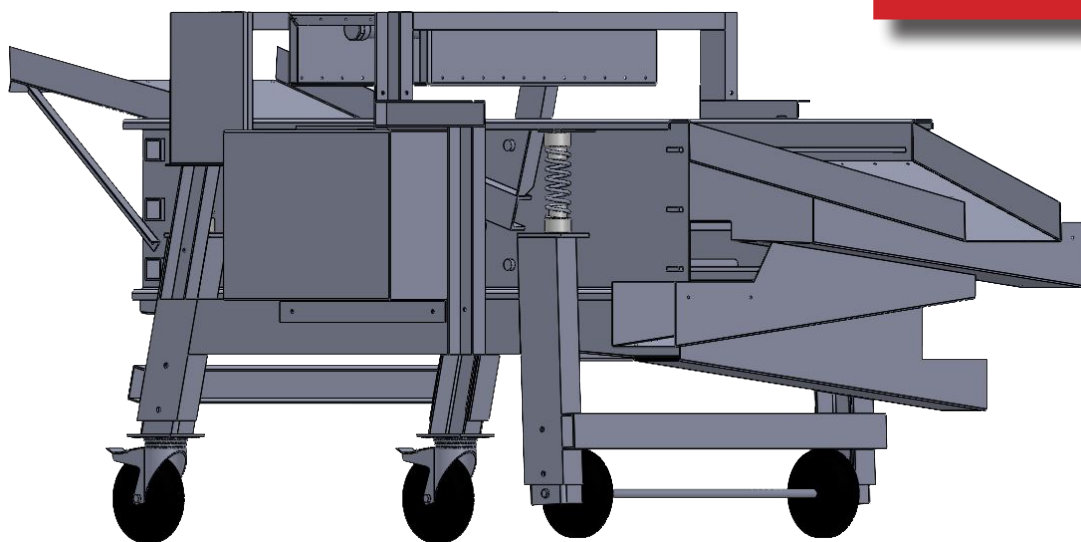
» THE 3 SIEVE SHELL SHAKER GRADER REQUIRES LITTLE MAINTENANCE.

» THANKS TO ITS RELIABILITY WHICH ENSURES A SECURE AND LONGLASTING USE IS THE SHELL SHAKER GRADER PERFECTLY ADAPTED TO EXPORT MARKETS.

» THE DEVICE IS FITTED WITH A PROTECTED WATERPROOF ELECTRIC BOX WITH SPEED VARIATOR.



« THE OPTIONAL SET OF 4 SELF-LOCKING WHEELS ALLOWS THE MOVE OF THE DEVICE TO WHERE NEEDED »



Self-locking wheels

SAS BERTRAND ROGER
La Chainade - 17320 MARENNES
☎ 05 46 85 00 36
✉ marennes@ets-bertrand.com

SAS BERTRAND ET FILS
Port Canal - 33470 GUJAN-MESTRAS
☎ 05 57 15 23 25
✉ gujan@ets-bertrand.com

www.ets-bertrand.com