

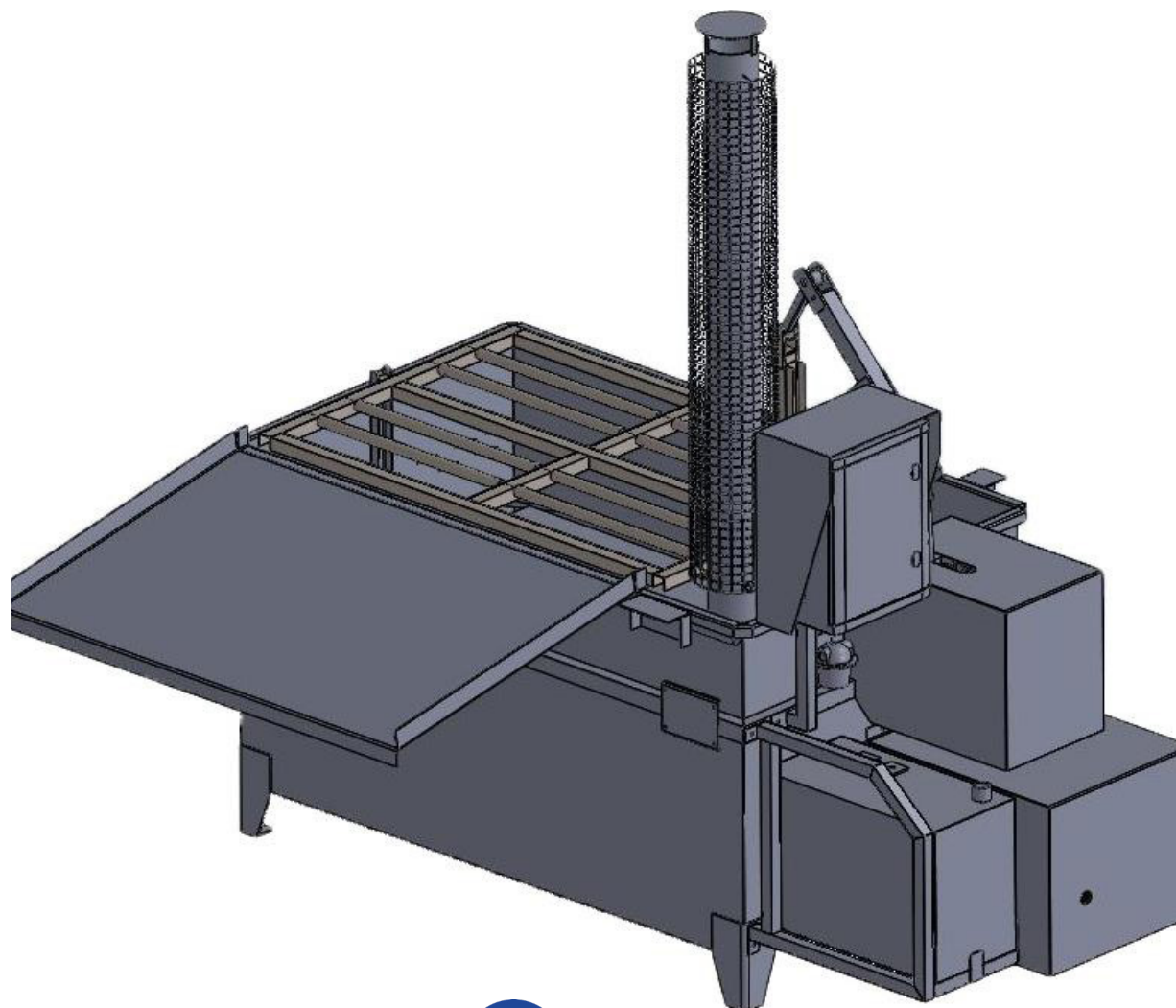


**Ets BERTRAND**

Machines et fournitures ostréicoles

*Over 60 years of ripened expertise*

## BOILING WATER TANK SMALL SIZE



DIMENSIONS : 1985x1055x2180

WEIGHT : 320 KG

HEATER : 200 kW

ELECTRIC FEEDING : 220 V

TANK VOLUME : 950 L

HEATING BODY VOLUME : 296 L

POUCH PER HOUR : ± 150

WARM-UP TIME : < 30 MIN

MATERIAL : 316 L STAINLESS STEEL

OPTION : COOLING RAMP

» THE SMALL SIZE BOILING TANK (REF 043300) IS DESIGNED TO BOTH THE TREATMENT OF OYSTERS AGAINST CERTAIN PARASITES WHICH ATTACH TO THE SHELL AND THEIR CLEANING BEFORE COMMERCIALIZATION.

» OYSTERS IN BAGS ARE IMMERSÉD INTO VERY HOT SEA WATER AT TEMPERATURE BETWEEN 75 AND 90 CELSIUS DEGREES DURING A VERY SHORT TIME RANGING FROM 2 TO 4 SECONDS.

---

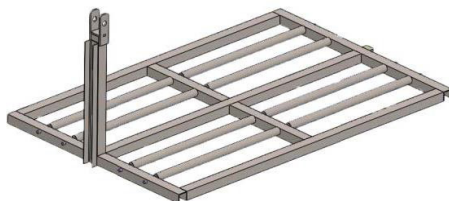
» THANKS TO ITS POWERFUL HEATER, THE WATER REACHES THE BOILING TEMPERATURE IN LESS THAN 30MN, WHICH THEN REMAINS CONSTANT EVEN IN INTENSIVE USE.

---

» THE BOILING WATER TANK IS COMMISSIONED BY A TECHNICIAN FROM THE MANUFACTURER, ETS BERTRAND.



*Heater*



*Basket*

» THE WATERPROOF ELECTRIC BOX WITH INTEGRATED SPEED VARIATOR, PROTECTION AND TIME DELAY ALLOWS A CONTINUOUS AUTOMATIC OR MANUAL HI/LO MOVEMENT OF THE BASKET INTO THE TANK.

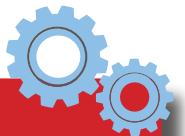
---

» THE BRAND NEW BASKET IS ALSO EQUIPPED WITH ROLLERS ENABLING THE LATERAL SLIDING OF OYSTER POUCHES TO AVOID THEIR HANDLING WHILE HOT AND OPTIMIZE THE PRODUCTION OUTPUT.

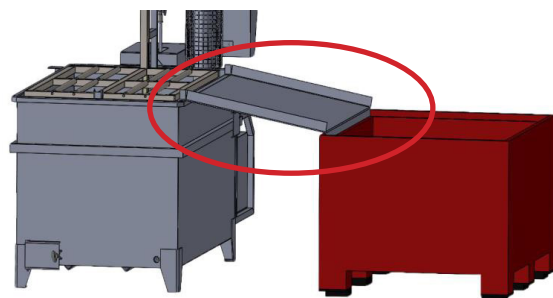
» AS AN OPTION, AN INTEGRATED DISCHARGE CHUTE FOR OYSTER POUCHES TO BE SLIPPED TO A DESIGNATED COOLING PLACE BY SIMPLY PUSHING THEM MANUALLY IS AVAILABLE.

---

» AN INTEGRATED WASHING DEVICE FACILITATES THE CLEANING OF THE BOTTOM OF THE TANK.



« THE OPTIMIZATION OF THE WORK STATION BY USING THE DISCHARGE CHUTE REDUCES THE NEEDS IN LABOUR »



*Discharge chute*

SAS BERTRAND ROGER  
La Chainade - 17320 MARENNES  
☎ 05 46 85 00 36  
✉ marennes@ets-bertrand.com

SAS BERTRAND ET FILS  
Port Canal - 33470 GUJAN-MESTRAS  
☎ 05 57 15 23 25  
✉ gujan@ets-bertrand.com

[www.bertrand-ostreiculture.com](http://www.bertrand-ostreiculture.com)