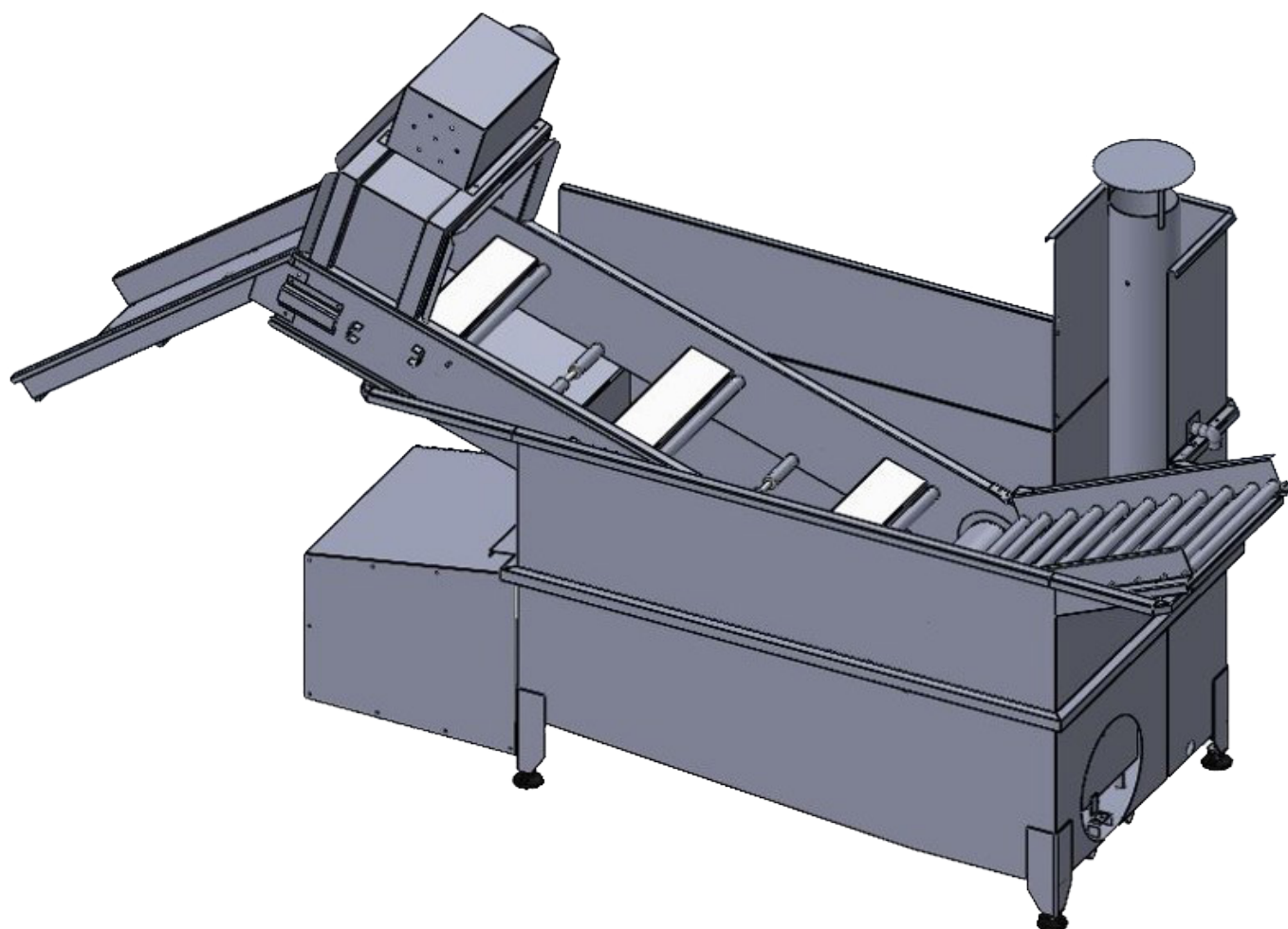




**Ets BERTRAND**  
Machines et fournitures ostréicoles

*Over 60 years of ripened expertise*

## BOILING WATER TANK LARGE SIZE



DIMENSIONS : 4170x1262x2270

WEIGHT : 800 KG

HEATER : 75/600 kW

POWER SUPPLY : 220/240 V

TANK VOLUME : 1675 L

HEATING BODY VOLUME : 340 L

POUCHES PER HOUR :  $\pm$  300

WARM-UP TIME : < 30 MIN

MATERIAL : 316L STAINLESS STEEL

OPTION : COOLING RAMP

» THE LARGE SIZE BOILING TANK (REF O4332) IS DESIGNED TO BOTH THE TREATMENT OF OYSTERS AGAINST CERTAIN PARASITES WHICH ATTACH TO THE SHELL AND THEIR CLEANING BEFORE COMMERCIALIZATION.

» OYSTERS IN BAGS ARE CARRIED THROUGH VERY HOT SEA WATER AT TEMPERATURE BETWEEN 75 AND 90 CELSIUS DEGREES DURING A VERY SHORT TIME RAN- CING FROM 2 TO 4 SECONDS.

---

» THANKS TO ITS 600 KW HEATER WILL THE SCALDER ADJUST THE POWER NECESSA- RY TO MAINTAIN OR QUICKLY INCREASE ITS TEMPERATURE.

---

» THE BOILING WATER TANK IS COMMISSIONED BY A TECHNI- CIAN FROM THE MANUFACTURER ETS BERTRAND.

---

» THIS MODEL IS SUITABLE FOR MEDIUM TO LARGE OYSTER PRO- DUCTIONS.

---

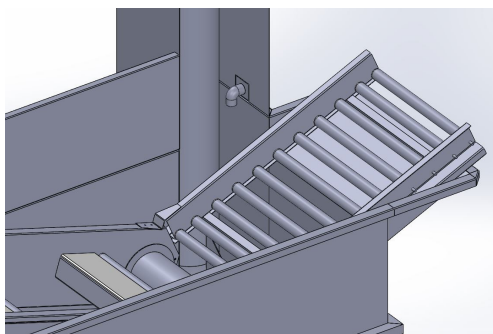
» THE WATERPROOF ELECTRIC BOX WITH INTEGRATED SPEED VARIATOR, PROTECTION AND TIME DELAY ALLOWS AN AUTOMATIC FUNCTIONNING OF THE SPROCKET GRATING DEVICE.

» A DISCHARGE CHUTE IS INTEGRATED FOR OYSTER POUCHES TO SLIP TO A DESIGNATED COOLING PLACE.

» THE COOLING DEVICE, LOCATED UNDER THE DISCHARGE CHUTE, ENSURES THE DECREASE IN TEMPERATURE OF OYSTERS.



*Heater*



*Sprocket grating device*

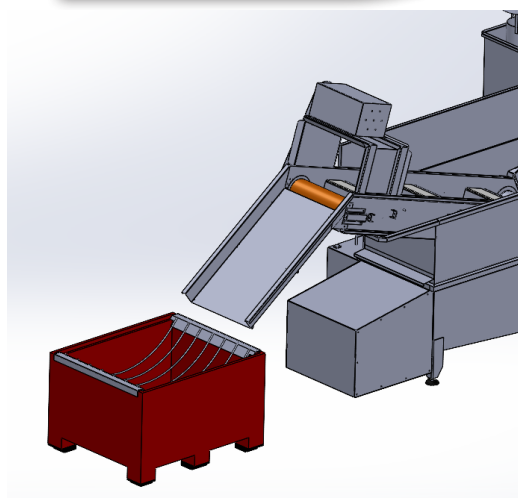
» AUTOMATION AND UNI- FORMITY OF TRAITMENT TIME ARE ALLOWED THANKS TO A SPROCKET GRATING DEVICE.

---

» THE SCALDER IS FITTED WITH A WATER FILLING SYSTEM ALLOWING THE READJUSTEMENT OF THE WATER LEVEL.

» AN INTAGRATED WAS- HING DEVICE FACILITATES THE CLEANING OF THE BOTTOM OF THE TANK.

« THIS LARGE SIZE BOILING WATER TANK REQUIRES LESS LABOUR DUE TO ITS CONCEP- TION OF AUTOMATION OF THE TREATMENT TIME »



*Discharge chute*

SAS BERTRAND ROGER  
La Chainade - 17320 MARENNES  
☎ 05 46 85 00 36  
✉ marennes@ets-bertrand.com

SAS BERTRAND ET FILS  
Port Canal - 33470 GUJAN-MESTRAS  
☎ 05 57 15 23 25  
✉ gujan@ets-bertrand.com

[www.bertrand-ostreiculture.com](http://www.bertrand-ostreiculture.com)